

TRMC

Current transformers for meters with source verification



Description

Current transformers used in Low Voltage installations, in applications with official measurements and used to bill energy, since they comply with the specifications of the Spanish electricity companies. Resin is used as an exterior insulation element to provide a set of characteristics that increase the quality of the transformer when compared to other conventional insulation systems.

The most important properties of this type of insulation are:

- High mechanical resistance
- Great dielectric strength
- Self-extinguishing (VO Degree)
- Tropicalization
- Impossibility of tampering with the transformer, preventing any form of access to the internal elements.

Applications

- Current transformers for energy meters. Used in Low Voltage installations.

Technical features

		TRMC 210	TRMC 400
Electrical features	Class	0,5 → 10 VA 0,5S → 2,5 VA 0,5S → 10 VA	0,5 → 10 VA 0,5S → 10 VA
	Maximum operating voltage	0,72 kV~	0,72 kV~
	Primary current	100...1000 A	750...3000 A
	Secondary current	5 A	5 A
	Insulation voltage	3 kV	3 kV
	Safety factor	$F_s < 5$	$F_s < 5$
	Frequency	50 / 60 Hz	50 / 60 Hz
	Thermal class	B	B
	Thermal short-circuit current	$I_{th} = 60 I_n$	$I_{th} = 60 I_n$
	Dynamic current	$I_{dyn} = 2,5 I_{th}$	$I_{dyn} = 2,5 I_{th}$
Mechanical features	Encapsulation	In resin (wound primary)	In resin (wound primary)
	Dimensions	145 x 11 x 48 mm	160 x 99 x 68 mm
	Weight	2,5 VA → 1,5 kg 10 VA → 1,6 kg	2,5 VA → 1,4 kg 10 VA → 1,5 kg
Standards	IEC 60044-1, UNE EN 60011-1		

References

kit 3-TRMC 210, Set of 3 current transformers for energy meters

Type	TRMC 210.1				TRMC 210.2	
	Class 0,5S VA	Code	Class 0,5 VA	Code	Class 0,5S VA	Code
A						
100/5	10	Q30901	10	Q30961	2,5	Q30981
150/5	10	Q30902	10	Q30962	2,5	Q30982
200/5	10	Q30903	10	Q30963	2,5	Q30983
300/5	10	Q30904	10	Q30964	2,5	Q30984
400/5	10	Q30905	10	Q30965	2,5	Q30985
500/5	10	Q30906	10	Q30966	2,5	Q30986
600/5	10	Q30907	10	Q30967	2,5	Q30987
1000/5					2,5	Q3098D

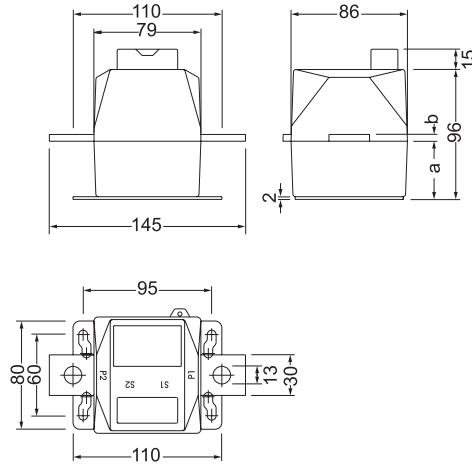
kit 3-TRMC 400, Set of 3 current transformers for energy meters

Type	TRMC 400			TRMC 400.2		
	Class 0,5S VA	Code	Class 0,5 VA	Code	Class 0,5S VA	Code
A						
750/5	10	Q30911	10	Q30971	2,5	Q309A1
1000/5	10	Q30912	10	Q30972	2,5	Q309A2
1500/5	10	Q30913	10	Q30973	2,5	Q309A3
2000/5	10	Q30914	10	Q30974	2,5	Q309A4
3000/5					2,5	Q309A6

Current transformers for meters with source verification

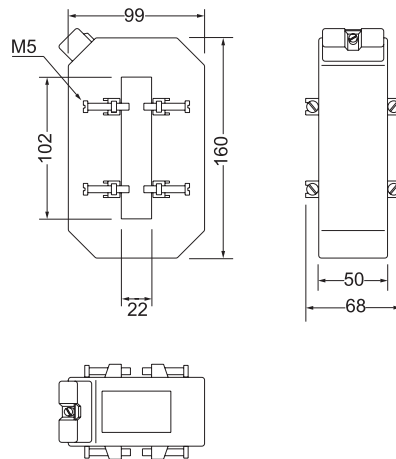
Dimensions

TRMC 210



TRMC 210	a	b
100/5		
150/5	43	5
200/5		
300/5		
400/5		
500/5	38	10
600/5		
1000/5		

TRMC 400



Connections

Towards billing counter

