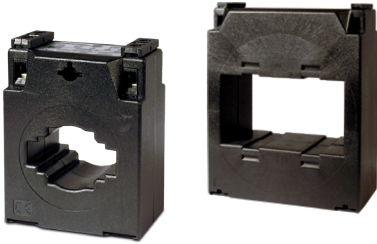


TCH

High accuracy measurement current transformer



Description

- Type: bar entrance
- Types: from 40 to 4000 A
- Internal diameter: from 20,3 to 63 mm, depending on the type
- Busbar dimensions: from 25 x 5 mm to 30 x 100 mm
- Transformer certificate sheet is attached
- DIN rail fixing accessory (Types **TC5** and **TC6**)
- Secondary coding types .../5 A (on demand .../1 A. **TC12** not available)

Applications

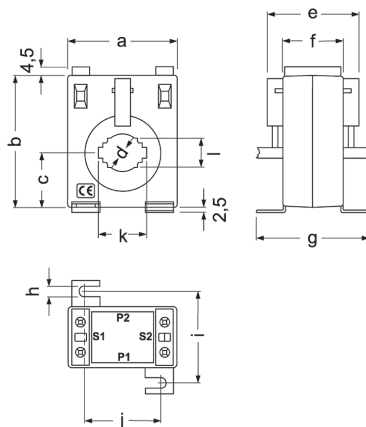
Converting a high nominal current to a lower current so that it can be measured by the unit. In installations where the electric supply can be interrupted to install transformers.

Technical features

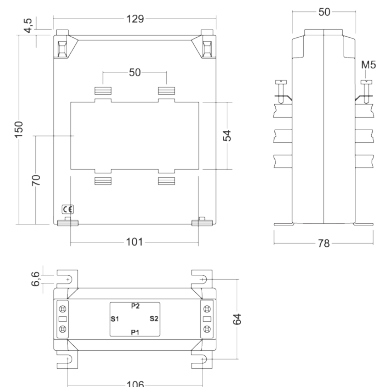
| Electrical features | | |
|---|-------------------------------|--|
| Frequency | 50 / 60 Hz | |
| Insulation voltage | 3 kVac | |
| Thermal short-circuit current, I_{th} | 60 I_n | |
| Dynamic current, I_{dyn} | 2.5 I_{th} | |
| Highest voltage for the material | 0.72 kVac | |
| Thermal class | B (130 °C) | |
| Type of encapsulation | V0 self-extinguishing plastic | |
| Safety factor | FS 5 | |
| Sealable secondary terminals | Yes | |
| Secondary terminals | IP 20 | |
| Attached to DIN rail | TCH5 and TCH6 | |
| Standards | IEC 44-1, BS2627 | |

Dimensions

| mm | TCH5 | TCH5.2 | TCH6.2 | TCH6 | TCH8 | TCH8.3 | TCH10 |
|----|------|--------|--------|------|------|--------|-------|
| a | 58 | 58 | 64 | 64 | 84,5 | 84,5 | 108 |
| b | 70 | 70 | 80,5 | 80,5 | 102 | 100 | 130 |
| c | 29 | 29 | 34 | 34 | 46 | 34 | 61 |
| d | 20,3 | 22 | 26 | 28,5 | 44 | 31 | 63 |
| e | 45 | 45 | 60,5 | 66,5 | 69 | 60,5 | - |
| f | 32 | 32 | 44 | 44 | 50 | 44 | 50 |
| g | 59 | 59 | 71 | 71,2 | 78 | 71 | 78 |
| h | 5,6 | 5,6 | 5,6 | 5,6 | 6,6 | 5,6 | 6,6 |
| i | 48 | 48 | 60 | 60 | 64 | 60 | 64 |
| j | 39 | 39 | 46 | 46 | 62 | 46 | 86 |
| k | 25,6 | 30,6 | 20,6 | 40,6 | 60,6 | 40,6 | 80,6 |
| l | 15,6 | 15,6 | 30,6 | 25,2 | 30,6 | 25,2 | 50,8 |



TCH12



References

| Type | TCH 6.2 | | | | TCH 6 | | | | TCH 8 | | | |
|-------------|-------------------------------|-----|------|--------|--------------|------|------|--------|---------|-----|------|--------|
| Busbar (mm) | 30 x 10 | | | | 40 x 10 | | | | 60 x 12 | | | |
| A \ V-A | Class | | | Code | Class | | | Code | Class | | | Code |
| | 0,2S | 0,2 | 0,5S | | 0,2S | 0,2 | 0,5S | | 0,2S | 0,2 | 0,5S | |
| 50/5 | | 0,5 | | M7044B | | | | | | | | |
| 60/5 | | 0,5 | | M7044C | | | | | | | | |
| 100/5 | 1 | 1,5 | 2,5 | M70441 | | | | | | | | |
| 125/5 | 1 | 1,5 | 2,5 | M70442 | | | | | | | | |
| 150/5 | 2,5 | 3,5 | 3,5 | M70443 | 1 | 1,25 | 1,5 | M70431 | | | | |
| 200/5 | 3,5 | 5 | 5 | M70444 | 1,25 | 1,5 | 2 | M70432 | | | | |
| 250/5 | 5 | 5 | 5 | M70445 | 1,5 | 1,75 | 2,25 | M70433 | | | | |
| 300/5 | 5 | 5 | 5 | M70446 | 1,75 | 2 | 2,5 | M70434 | | | | |
| 400/5 | 7,5 | 7,5 | 7,5 | M70447 | 1 | 5 | 5 | M70435 | | | | |
| 500/5 | | | | | 5 | 7,5 | 7,5 | M70436 | | | | |
| 600/5 | | | | | 5 | 7,5 | 7,5 | M70437 | 5 | 10 | 10 | M70463 |
| 750/5 | | | | | 7,5 | 10 | 10 | M70438 | 7,5 | 10 | 10 | M70464 |
| 800/5 | | | | | 7,5 | 10 | 10 | M70439 | 7,5 | 10 | 10 | M70465 |
| 1 000/5 | | | | | | | | | 10 | 15 | 15 | M70466 |
| 1 200/5 | | | | | | | | | 10 | 15 | 15 | M70467 |
| 1 250/5 | | | | | | | | | 10 | 15 | 15 | M7046A |
| 1 500/5 | | | | | | | | | 10 | 15 | 15 | M70468 |
| 1 600/5 | | | | | | | | | 10 | 15 | 15 | M70469 |
| Type | TCH 10 | | | | TCH 12 | | | | | | | |
| Busbar (mm) | 50 x 50 60 x 30 80 x 30 | | | | 3 x 100 x 10 | | | | | | | |
| A \ V-A | Class | | | Code | Class | | | Code | | | | |
| | 0,2S | 0,2 | 0,5S | | 0,2S | 0,2 | 0,5S | | | | | |
| 800/5 | 7,5 | 10 | 10 | M70472 | | | | | | | | |
| 1 000/5 | 7,5 | 10 | 10 | M70473 | | | | | | | | |
| 1 200/5 | 10 | 10 | 10 | M70474 | 10 | 15 | 15 | M70482 | | | | |
| 1 250/5 | 10 | 10 | 10 | M7047C | 10 | 15 | 15 | M7048C | | | | |
| 1 500/5 | 10 | 10 | 15 | M70475 | 10 | 15 | 15 | M70483 | | | | |
| 1 600/5 | 10 | 10 | 15 | M70476 | 10 | 15 | 15 | M70484 | | | | |
| 2 000/5 | 10 | 10 | 15 | M70477 | 10 | 15 | 15 | M70485 | | | | |
| 2 500/5 | 10 | 10 | 15 | M70478 | 15 | 20 | 20 | M70486 | | | | |
| 3 000/5 | 10 | 10 | 15 | M70479 | 20 | 25 | 25 | M70487 | | | | |
| 3 200/5 | | | | | 20 | 25 | 25 | M7048B | | | | |
| 4 000/5 | | | | | 25 | 30 | 30 | M70488 | | | | |