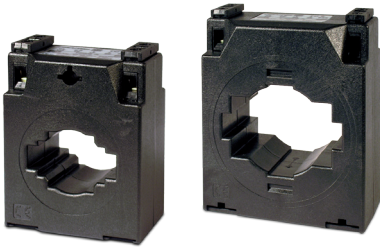


TC

Narrow-profile measurement current transformer



Description

- Type: bar entrance
- Types: from 40 to 4000 A
- Internal diameter: from 20.3 to 63 mm, depending on the type
- Busbar dimensions: from 25 x 5 mm to 30 x 100 mm
- Transformer certificate sheet is attached
- DIN rail fixing accessory (Types **TC5** and **TC6**)
- Secondary coding types .../5 A (on demand .../1 A. **TC12** not available)

Applications

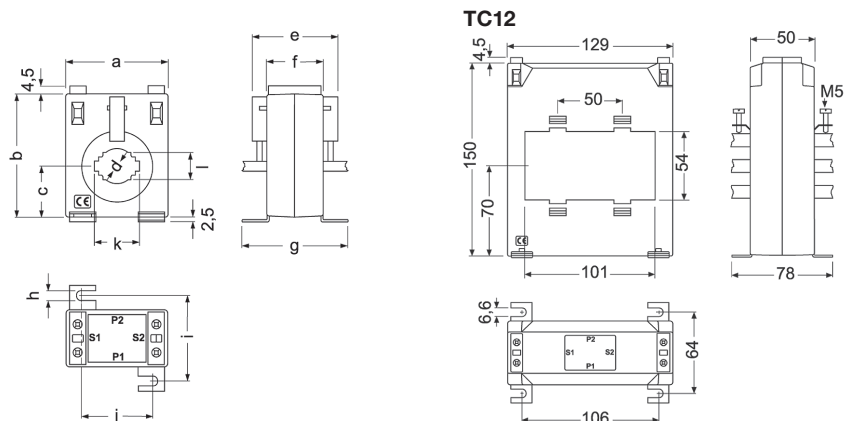
Converting a high nominal current to a lower current so that it can be measured by the unit. In installations where the electric supply can be interrupted to install transformers.

Technical features

Electrical features		
Frequency	50 / 60 Hz	
Insulation voltage	3 kVac	
Thermal short-circuit current, I_{th}	60 I_n	
Dynamic current, I_{dyn}	2.5 I_{th}	
Highest voltage for the material	0.72 kVac	
Thermal class	B (130 °C)	
Type of encapsulation	V0 self-extinguishing plastic	
Safety factor	FS 5	
Sealable secondary terminals	Yes	
Secondary terminals	IP 20	
Attached to DIN rail	TC5 and TC6	
Standards	IEC 61869-1, IEC 61869-2, BS2627	

Dimensions

mm	TC4	TC5 TCH5	TC5.2 TCH5.2	TC6.2 TCH6.2	TC6 TCH6	TC8 TCH8	TC8.3 TCH8.3	TC10 TCH10
a	50	58	58	64	64	84,5	84,5	108
b	70	70	70	80,5	80,5	102	100	130
c	29	29	29	34	34	46	34	61
d	21	20,3	22	26	28,5	44	31	63
e	43,5	45	45	60,5	66,5	69	60,5	-
f	30	32	32	44	44	50	44	50
g	56	59	59	71	71,2	78	71	78
h	5,5	5,6	5,6	5,6	5,6	6,6	5,6	6,6
i	45,5	48	48	60	60	64	60	64
j	31,6	39	39	46	46	62	46	86
k	30,5	25,6	30,6	20,6	40,6	60,6	40,6	80,6
l	30,5	15,6	15,6	30,6	25,2	30,6	25,2	50,8



TC

Narrow-profile measurement current transformer

References

Type	TC4				TC5				TC5,2				TC6,2				TC6			
Busbar (mm)	30 x 10 20 x 10 25 x 5				20 x 10 25 x 5 15 x 5				20 x 12 25 x 10 30 x 10				20 x 20 25 x 12 30 x 10				30 x 15 20 x 10 40 x 10			
A \ VA	Class			Code	Class			Code	Class			Code	Class			Code	Class			Code
	0,5	1	3		0,5	1	3		0,5	1	3		0,5	1	3		0,5	1	3	
40/5	-	-	-		-	-	1,5	M70311												
50/5	-	-	1	M703D5	-	-	3	M70312												
60/5	-	-	1,25	M703D6	-	1,25	3,5	M70313												
75/5	-	-	1,25	M703D7	-	2	3,5	M70314												
100/5	-	2	3	M703D8	1,5	2,5	3,75	M70315	-	1	1,5	M70321	1,75	3,75	7,5	M70341				
125/5	-	2,5	3,75	M703D9	1,75	3,5	5	M70316	-	1,5	2	M70322	3,75	7,5	10	M70342				
150/5	1,5	2,5	4	M703DA	2,5	3,5	5	M70317	1	2	2,5	M70323	5	7,5	10	M70343	1	3,5	5	M70331
200/5	2,5	5	6	M703DB	3,75	5	5	M70318	2,5	3	3,5	M70324	7,5	10	10	M70344	3,5	5	7,5	M70332
250/5					5	7,5	7,5	M70319	3,5	3,75	5	M70325	7,5	10	15	M70345	5	7,5	10	M70333
300/5									3,5	3,75	5	M70326	10	10	15	M70346	5	7,5	10	M70334
400/5									3,5	5	7,5	M70327	10	10	15	M70347	5	7,5	10	M70335
500/5									5	7,5	10	M70328	15	15	20	M70348	7,5	10	15	M70336
600/5									5	7,5	10	M70329	15	20	25	M70349	7,5	10	15	M70337
750/5																	10	15	20	M70338
800/5																	10	15	20	M70339

Type	TC8.3				TC8				TC10				TC12						
Busbar (mm)	20 x 25 30 x 20 40 x 10				50 x 30 60 x 12				50 x 50 60 x 30 80 x 30				30 x 100 x 10						
A \ VA	Class			Code	Class			Code	Class			Code	Class			Code			
	0,5	1	3		0,5	1	3		0,5	1	3		0,5	1	3				
100/5	5	5	5	M703BA															
150/5	5	7,5	10	M703BC															
200/5	10	20	25	M703B2	1	2,5	5	M7036C	1	2,5	5	M7037F							
250/5	10	15	20	M703B1															
300/5	15	20	25	M703B3	2,5	5	7,5	M7036B	2,5	5	7,5	M7037D							
400/5	15	20	25	M703B4	5	7,5	10	M70361	2,5	5	7,5	M7037G							
500/5	15	20	25	M703B5	7,5	10	15	M70362	5	7,5	10	M7037B							
600/5	15	20	25	M703B6	10	15	20	M70363	7,5	10	15	M7037C							
750/5	20	25	30	M703B7	15	20	25	M70364	7,5	10	15	M7037H							
800/5	25	30	35	M703B8	15	20	30	M70365	7,5	10	15	M70372	10	15	20	M7038B			
1000/5	25	30	35	M703B9	15	20	30	M70366	10	15	20	M70373	10	15	20	M70381			
1200/5					15	20	30	M70367	10	15	20	M70374	10	15	20	M70382			
1250/5					15	20	30	M7036A	10	15	20	M7037E	10	15	20	M7038D			
1500/5					15	20	30	M70368	15	20	25	M70375	15	20	30	M70383			
1600/5					15	20	30	M70369	15	20	25	M70376	15	20	30	M70384			
2000/5									15	20	25	M70377	15	20	30	M70385			
2500/5									15	20	30	M70378	20	30	40	M70386			
3000/5									15	20	30	M70379	30	40	60	M70387			
3200/5													30	40	60	M7038C			
4000/5													35	40	60	M70388			