

EDS

Efficiency Data Server



Description

EDS is an energy manager equipped with **PowerStudio** Embedded and a built-in web and XML server, which enables the user to query any electrical variable by connecting the metering equipment to its RS-485 bus without having to install any software. Thanks to the RS-485 expansion bus, the user can view any variable from the units connected to the bus and can even display information in real time, in table or graphic format (data logger). There are 8 voltage-free digital inputs and 6 programmable relay digital outputs.

Its most salient features include:

- Parameterisation and management of automatic events
- Alarm recording system and system event management
- E-mail alarms.
- RS-485 port for connecting up to 5 **CIRCUTOR** devices.
- Ethernet connection
- Centralisation of alarms through detection of logical states or centralization of consumption by pulses.

Technical features

Power Supply circuit	Power Supply voltage	85 ... 264 V _{a.c.} / 120 ... 374 V _{a.c.}
	Frequency	47 ... 63 Hz
	Consumption	5 ... 8 VA
Output features	Type	Relay
	Maximum operating power	740 VA
	Maximum operating voltage	250 V _{a.c.}
	Maximum current commutation	5 A with resistive load
	Electrical working life (250 V _{a.c.} / 5 A)	3 x 10 ⁴ maneuvers
	Mechanical working life	2 x 10 ⁷ maneuvers
Input features	Type	Free-voltage opto isolated
	Max. current activation	50 mA
	Isolation	1500 V
Display	LCD with Backlight	
Mechanical features	Enclosure	Autoextingible UL94 V0 plastic
	Protection degree	IP 51
	Dimensions (mm)	105 x 90 x 70 mm (6 modules)
	Weight	280 g
	Enviroment conditions	Working temperature
Humidity		5 ... 95% (without condensation)
Max. Altitude		2000 m
Network interface	Type	Ethernet 10BaseTX
	Conector	RJ-45
	Network protocol	HTTP / Modbus/RTU
	Bus	RS-485
Serial interface	Type	RS-485 three wires (A/B/S)
	Transmission speed	4800, 9600, 19.200, 34.800, 57.600, 115.200 bps
	Data bit	8
	Partity	Without parity, pair, odd
	Stop Bit	1 / 2
	Safety	Category III 300 / 520 V _{a.c.} according to EN 61010 Class II double insulation against electric shock
Standards	IEC 60664, VDE 0110, UL 94, EN 61010-1, EN 55011, EN 61000-4-3, EN 61000-4-11, EN 61000-6-4, EN61000-6-2, EN 61000-6-1, EN 61000-6-3, EN 61000-4-5	

EDS

Efficiency Data Server

Applications

- **Domestic application:** EDS can be used to control the partial consumption of each load in a domestic installation.
 - Control of domestic consumption.
 - Compare your consumption with that of the energy marketer.
 - Rationalisation of home consumption.

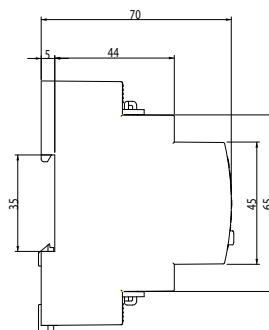
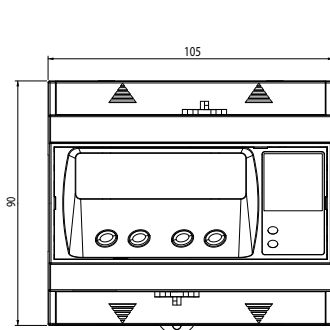
- **SME/Industrial application:** EDS facilitates the control of partial consumptions of the different single-phase and three-phase loads during productive and non-productive periods.
 - Control the consumption of your installation 24/365 and locate residual consumption during non-production periods.
 - Check the power level contracted in the installation.
 - Supervise the level of harmonics and the reactive load of your installation.
 - Alarms for consumption or incidents in your electrical network.
 - No need for a computer
 - Possibility of connection when specified: the system acts automatically.
 - Provides information about your bill before you receive it.

- **Multi-point application:** in the case of load distribution (or remote installations) EDS can control the individual consumption of each of the installations and centralise them into a single one.
 - Efficient, easy and simple control of the consumption of your remote sites.
 - Energy reports per consumption zone or site
 - Remote alarms for excess consumption or incidents in the electrical network.
 - Possibility of comparing consumption for each site.

References

Description	Communications	Ethernet	Internet	Digital inputs	Digital outputs	Type	Code
Remote energy manager with PowerStudio Embedded technology	RS-485 Modbus/RTU	Yes	Built-in Web server and XML	8 (voltage-free)	6 per relay	EDS	M61010
Remote energy manager with PowerStudio Embedded technology with generic modbus driver to communicate with other non-CIRCUTOR devices	RS-485 Modbus/RTU	Yes	Built-in Web server and XML	8 (voltage-free)	6 per relay	EDS Deluxe	M61020

Dimensions



Connections

