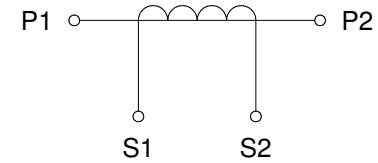
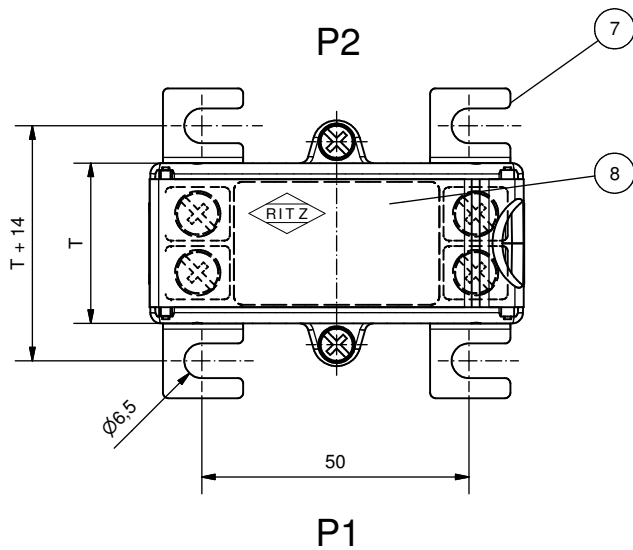
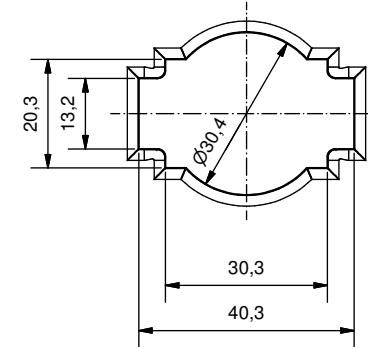


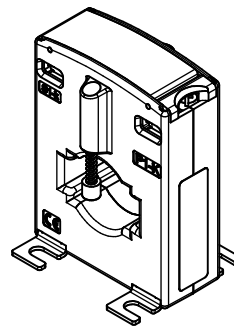
Schaltbild
Connection diagram



Primärleiteröffnung
Aperture for primary conductor



(1 : 2)



- | | |
|----------------------------------------------------------------------------------------------------------------------------------------------------------------------------------------------------------------------------------------------------------------------------------------------------------------------------------------------------------------------------------------------------------------------------------------------------------------------------------------------------------------------------------------------------------------------------------------------------|------------------------------------------------------------------------------------------------------------------------------------------------------------------------------------------------------------------------------------------------------------------------------------------------------------------------------------------------------------------------------------------------------------------------------------------------------------------------------------------------------------------------------------------------------------------------------------------------|
| <ol style="list-style-type: none"> 1. Sekundärabdeckung, durchsichtig, plombierbar 2. Nut und Loch für Plombierung der Sekundärabdeckung 3. Sekundäranschluß M5, Schraube Plus-Minus Schlitz, max. 6 mm²(flexibel)/10 mm²(massiv) Anziehdrehmoment 3,5 Nm 4. Kabelschutzkappe 5. Primärleiterbefestigung, Schraube Plus-Minus Schlitz, berührungssicher Anziehdrehmoment max. 0,5 Nm 6. Optional: Schnappbefestigung für Tragschiene nach DIN EN 50022-35 7. Fußbefestigung 8. Leistungsschild | <ol style="list-style-type: none"> 1. Secondary terminal cover, transparent, sealable 2. Slot and hole to seal terminal cover 3. Secondary terminals M5, Phillips recessed head screw, max. 6 mm²(flexible)/10 mm²(solid) tightening torque 3,5 Nm 4. Cable protective cap 5. Primary fixing device, Phillips recessed head screw, contact-safe tightening torque max. 0,5 Nm 6. Option: Snap-on mounting bracket for profile bar acc. to DIN EN 50022-35 7. Mounting feet 8. Rating plate |
|----------------------------------------------------------------------------------------------------------------------------------------------------------------------------------------------------------------------------------------------------------------------------------------------------------------------------------------------------------------------------------------------------------------------------------------------------------------------------------------------------------------------------------------------------------------------------------------------------|------------------------------------------------------------------------------------------------------------------------------------------------------------------------------------------------------------------------------------------------------------------------------------------------------------------------------------------------------------------------------------------------------------------------------------------------------------------------------------------------------------------------------------------------------------------------------------------------|

EKN	VNT	VNO	RAN	RHN	RHQ						
<small>Die Zeichnung und darin enthaltene Informationen sind Eigentum von Ritz. Sie sind vertraulich und dürfen nicht verbreitet oder kopiert werden ohne schriftliche Genehmigung. Sie sind auf Verlangen zurückzugeben. Schutzrechtsanmeldung behält sich Ritz vor.</small> <small>This drawing and all information there on is property of Ritz. It is confidential and must not be made public or copied unless authorised in written by Ritz. It must be returned on demand. Ritz reserves the right to file intellectual property right.</small>											
4						Datum/date	Name/name	Benennung/designation			
3	120205	12.10.11	Hu	Bear. drawn	05.05.1999	LUEDKE	KS 70-04 Aufsteck - Stromwandler/ Window Type Current Transformer Maßbild / Outline Drawing				
2	090202	10.11.09	EL	Gepr. checked							
1	080066	05.06.08	Hu	Maße in mm / All dimensions in mm							
Index		Änderung revision		Datum date		Name name		Geringe Maß- und Gewichtsabweichungen vorbehalten Small deviations in dimensions and weight are possible			
3		50		≤1,1		 RITZ <small>Instrument Transformers</small>		Zeichnungsnummer/drawing number			
2		40		≤0,9				MB3.5588		Index	
1		30		≤0,7						3	
Größe/size		T		m [kg]		Dateiname data file name		Blatt / page 1 von / of 1			