

Moving-coil voltmeter (DC)

# Moving-coil Voltmeter

Analogue indicator to measure DC voltage



## Description

- No need for auxiliary power supply, only the CEC 96 type
- DIN boxes with dimensions: 48, 72, 96 and 144
- Precision class 1.5
- Measurement in DC 25 uA ... 60 A, or ... 60 mV
- Exchangeable scales for BC48, BC72, BC96, BM 45
- The alarm system can be fully configured for CBC 96

## Application

In direct current applications, to control the state of the current quickly and visually.

## Features

	BC	BM	CBC 96
Auxiliary power supply			230 V ac
Consumption		-	2.5 V·A
Frequency		-	40 ... 90 Hz
<b>Input circuit</b>			
Consumption	1000Ω		0.2 V·A
Frequency	20 ... 100 Hz		45 ... 65 Hz
Overloads	1.5 $U_n$ permanent 2 $U_n$ permanent 5 s		1.2 $U_n$ permanent
Temp. Coefficient			100 ppm / °C
<b>Class</b>	1.5 % FS		
<b>Ambient conditions</b>			
Operating temperature	+10 ... +30 °C		+ 5 ... +55 °C
Limit temperature	- 25 ... +40 °C		-25 ... +70 °C
Altitude		2000 m	
<b>Build features</b>			
Dimensions	See the following table		
Weight	See the following table		
Type of box	panel	DIN rail	panel
<b>Degree of protection:</b>			
Front panel	IP 52		IP 52
terminals	IP 00		IP 20
Insulation voltage	2 kV, during 1 min, between the mechanism and the box		
<b>Standards</b>	BS 89, EN 60051, IEC 144, UL 94, DIN 43780, IEC 51, UNE 21318, CE		IEC51, IEC 1010, IEC 529, IEC 255, IEC 278, IEC 414, IEC 144, LLOYD'S (TEST. ESP. No. 1)

Moving-coil voltmeter (DC)

# Moving coil voltmeter

Analogue indicator to measure DC voltage



References

BC: Voltmeters 90°

BM: Voltmeters 90°, DIN rail

CBC96: Voltmeters with relay 90°



Voltmeters, 90°						Voltmeters with relay	
Type	BC 48	BC 72	BC 96	BC 144	BM 45	CBC 96	
Class	1,5						
Scale	90° , P1					90° , P1	
Dimensions (mm)							
	a	48	72	96	144	85	96
	b	48	72	96	144	52	96
	c	66,2	49,2	49,2	71,8	65	85,3
Weight (g)	75	170	210	420	110	435	
V							
0..0.10 V	M11813	M11823	M11833	M11843	-	-	
1	M11711	M11721	M11731	M11741	-	-	
15	M11714	M11724	M11734	M11744	M11754	-	
30	M11716	M11726	M11736	M11746	M11755	-	
60	M11718	M11728	M11738	M11748	M11756	-	
100	M11719	M11729	M11739	M11749	M11757	-	
150	M1171A	M1172A	M1173A	M1174A	M11758	M14841	
250	M1171B	M1172B	M1173B	M1174B	-	M14842	
300	-	-	-	-	-	M14843	
400	M1171D	M1172D	M1173D	M1174D	-	M14844	
500	M1171E	M1172E	M1173E	M1174E	-	M14845	
600	M1171F	M1172F	M1173F	M1174F	-	M14846	

\*Scale not included, indicate voltage input

\*Inputs of more than 10 mV, on demand

Coding table

BC and BM Voltmeters	M	1	X	X	X	X	0	0	X
	Code						Internal Code		↑
	Setting		Standard						0
Central zero						1			

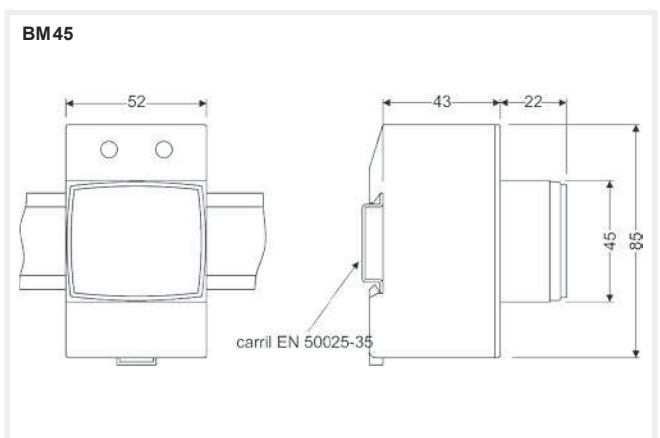
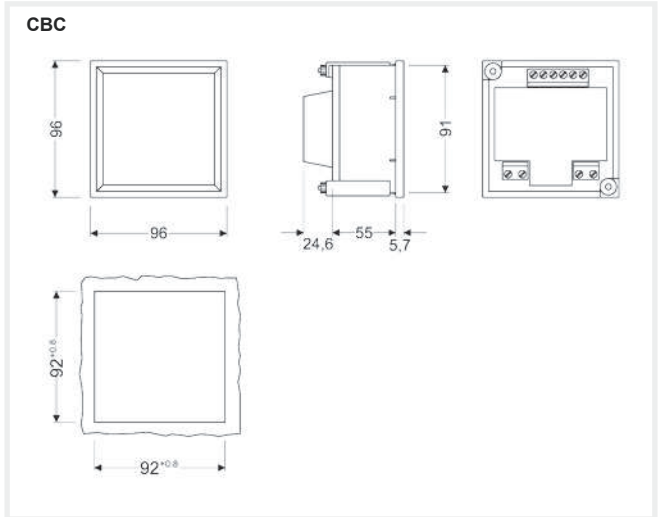
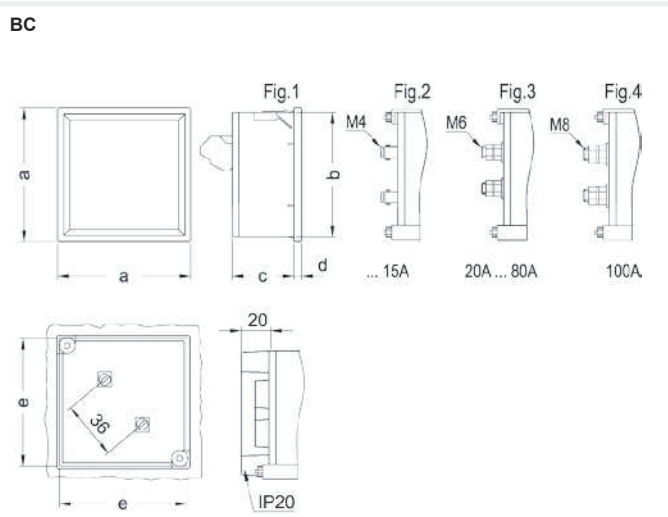
Moving-coil voltmeter (DC)

# Moving coil voltmeter

Analogue indicator to measure DC voltage



References



Type	Fig. BC	a	b	c	d	e
48 mm	1-3	48	44,7	61	5,2	45
72 mm	2-3-4	72	67,2	43,5	5,7	68
96 mm	2-3-4	96	91	43,5	5,7	92
144 mm	2-3-4	144	137	64,5	7,3	138

Dimensiones (mm)

Connections

