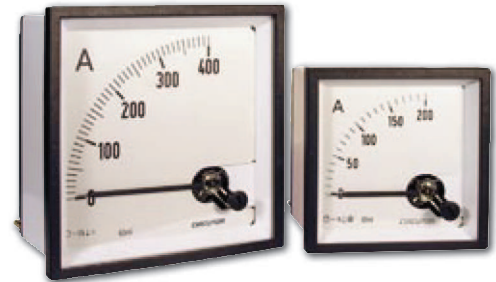


Moving-coil ammeter (DC)

Moving-coil ammeter

Analogue indicator to measure direct current



Description

- No need for auxiliary power supply, only the **CEC 96** type
- DIN boxes with dimensions: 48, 72, 96 and 144
- Precision class 1.5
- Measurement in DC 25 μ A ... 60 A, or ... 60 mV
- Exchangeable scales for **BC48**, **BC72**, **BC96**, **BM 45**
- The alarm system can be fully configured for **CBC 96**

Application

In direct current applications, to control the state of the current quickly and visually.

Features

	BC	BM	CBC 96
Auxiliary power supply			230 V ac
Consumption		-	2.5 V·A
Frequency		-	40 ... 90 Hz
Input circuit			
Consumption	60 mV		0.2 V·A
Overloads	1.2 I_n permanent		1.2 I_n permanent
	5 I_n during 30 s		5 I_n during 30 s
	10 I_n during 5 s		10 I_n during 5 s
	40 I_n during 1 s		40 I_n during 1 s
Class	1.5 % FS		
Ambient conditions			
Operating temperature	+10 ... +30 °C		+5 ... +55 °C
Limit temperature	-25 ... +40 °C		-25 ... +70 °C
Altitude	2000 m		
Build features			
Dimensions	See the following table		
Weight	See the following table		
Type of box	panel	DIN rail	panel
Degree of protection:			
Front panel	IP 52		IP 52
terminals	IP 00		IP 20
Insulation voltage	2 kV, during 1 min, between the mechanism and the box		
Standards	BS 89, EN 60051, IEC 144, UL 94, DIN 43780, IEC 51, UNE 21318, CE		IEC51, IEC 1010, IEC 529, IEC 255, IEC 278, IEC 414, IEC 144, LLOYD'S (TEST. ESP. No. 1)

Moving-coil ammeter (DC)

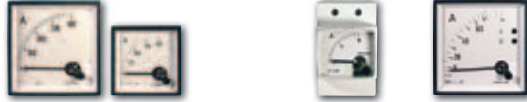
Moving-coil ammeter

Analogue indicator to measure direct current



References

BC: Ammeters 90° / BM: Ammeters 90°, DIN rail / CBC96: Ammeters with 2 relays



Exchangeable scales

Ammeters, 90°						Ammeters with 2 relays	
Type	BC 48	BC 72	BC 96	BC 144	BM 45	CBC 96	
Class						1,5	1,5
Scale						90° , P1	90° , P1
Dimensions (mm)							
	a	48	72	96	144	85	96
	b	48	72	96	144	52	96
	c	66,2	49,2	49,2	71,8	65	85,3
Weight (g)	75	170	210	420	110	435	
A							
5	M11412	M11422	M11432	M11442	M11452	-	
10	M11413	M11423	M11433	M11443	M11453	-	
25	M11416	M11426	M11436	M11446	M11456	-	
50	M11419	M11429	M11439	M11449	M11459	-	
60	-	M1142A	M1143A	M1144A	M1145A	-	
.../60 mV(*)	M11410	M11420	M11430	M11440	M11450	M14830	

Type	SBC 48	SBC 72	SBC 96	SBM 45
Equipment	BC 48	BC 72	BC 96	BM 45
A / mV				
50/60	M114Z9	M114Y9	M114X9	M114V9
60/60	M114ZA	M114YA	M114XA	M114VA
75/60	M114ZB	M114YB	M114XB	M114VB
100/60	M114ZC	M114YC	M114XC	M114VC
150/60	M114ZE	M114YE	M114XE	M114VE
200/60	M114ZF	M114YF	M114XF	M114VF
250/60	M114ZG	M114YG	M114XG	M114VG
300/60	M114ZH	M114YH	M114XH	M114VH
400/60	M114ZJ	M114YJ	M114XJ	M114VJ
600/60	M114ZL	M114YL	M114XL	M114VL
1 000/60	M114ZP	M114YP	M114XP	M114VP
1 500/60	M114ZR	M114YR	M114XR	M114VR
2 500/60	M114ZT	M114YT	M114XT	M114VT

* If the input of the unit requested is not .../60mV, indicate the ratio.

* BC48 / BC72 / BC96 / BC144 / BM45:

- *Scale is not included, except in EC144 (equipment + scale included, indicate transformer ratio)
- *For exchangeable scales, see Tables. External shunts, see M.7
- *Different input ranges, shunt
- *Central zero adjustment, on demand
- *Inputs starting on 25 uA, on demand

* CEC96:

- *Scale included, indicate the transformer ratio (shunt)

Coding table

BC and BM45 Ammeters	M	1	X	X	X	X	0	0	X	X	X	
	Code						Internal Code	↑	↑	↑		
	Setting	Standard					0					
		Central zero					1					
	Shunt input range	Standard (.../60 mV)					0					
		.../50 mV					1					
		.../150 mV					3					
		.../300 mV					5					
	Scales	50					9					
		60					A					
		75					B					
		100					C					
		150					E					
		200					F					
250					G							
300					H							
400					J							
500					K							
600					L							
1000					P							
1500					R							
2500					T							

SBC and SBM45 Scales	M	1	X	X	X	X	0	0	X	X	
	Code						Internal Code	↑	↑		
	Setting	Standard					0				
		Central zero					1				
	Shunt input range	Standard (.../60 mV)					0				
		.../50 mV					1				
.../150 mV					3						
.../300 mV					5						

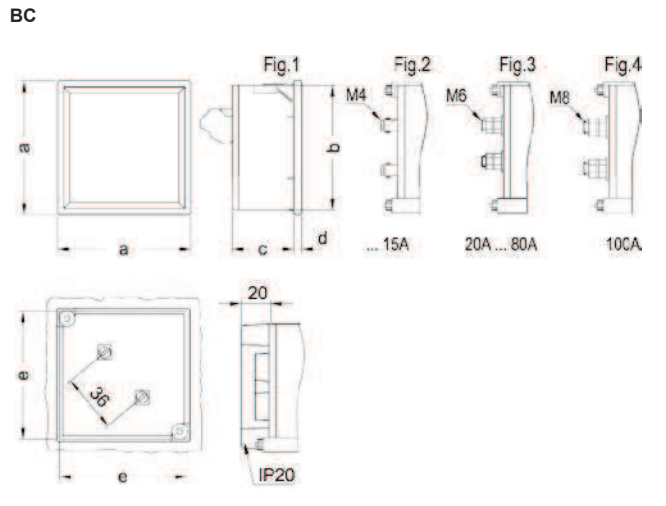
Moving-coil ammeter (DC)

Moving-coil ammeter

Analogue indicator to measure DC current

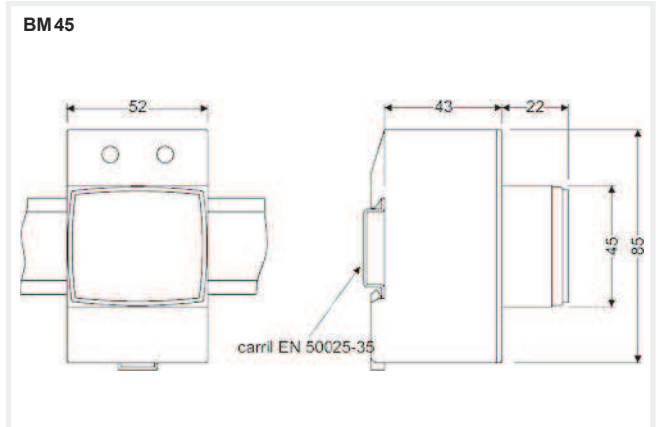
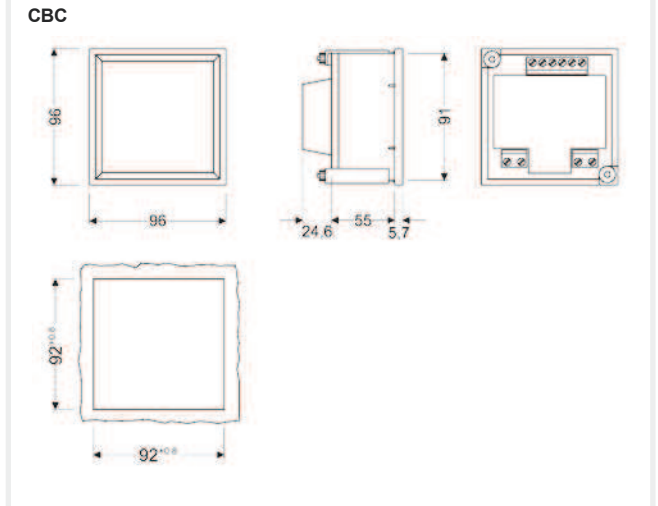


References



Type	Fig. BC	a	b	c	d	e
48 mm	1-3	48	44,7	61	5,2	45
72 mm	2-3-4	72	67,2	43,5	5,7	68
96 mm	2-3-4	96	91	43,5	5,7	92
144 mm	2-3-4	144	137	64,5	7,3	138

Dimensiones (mm)



Connections

